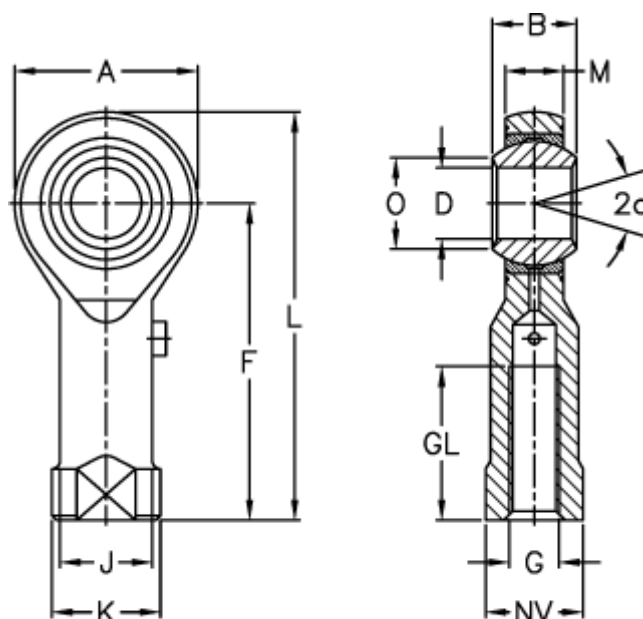


Article number: 03003002

Description: Fluro Rod End GIS 2
Zinc Plated

Measures



Str. 2-3 uden smørenippel

A	= 9	J	= 3.8	Weight (g) = 3
a (degrees)	= 16	K	= 4.5	
B	= 4.8	L	= 20.5	
D	= 2	M	= 3.6	
Dynamic load C (kN)	= 1.1	NV	= 4	
F	= 16	O	= 2.6	
G	= M2	Permissible rpm	= 1400	
GL	= 7	Static load C0 (kN)	= 3	